

User's Manual



XY Series

XY-1 Dual 12" hybrid loaded
LF loudspeaker

XY-2E 8" two-way Passive/Bi-amp
mid-high loudspeaker

pioneerproaudio.com

For support information such as a installation manual and recommended preset settings for these products, visit the website above.

Pioneer

Contents

01 Introduction

Before you start.....	3
Installation guidelines.....	4

02 Product overview

XY-1.....	5
XY-2E.....	5

03 System set-up

Ground stacking.....	6
Amplifier selection.....	6
Cabling.....	6
Speaker protection and Processor setting.....	6

04 Mounting and rigging options

Rigging hardware.....	7
Precautions when installed in high locations.....	7
Attachment of the XY-2 as front lower loudspeaker.....	8
Attachment of the CP-XY1VC1 Vertical Flying Cradle.....	8
Attachment of the CP-XY1DF1 as Variable Angle Bracket.....	9
Assembly of cluster using the CP-XY1DF1 Dual Enclosure Flying Plate set...	10
Vertical expansion of cluster using the CP-XY1CON1.....	11

05 Connections

XY-1.....	12
XY-2E.....	12

06 Additional information

Dimensions (XY-1).....	13
Dimensions (XY-2E).....	13
About trademarks and registered trademarks.....	14
Specifications.....	14

Introduction

WARNING

- This loudspeaker must be installed by a qualified technician as it involves such tasks as selecting a location for installation, drilling holes in walls/ceiling and wiring. Have the installer carefully follow the installation instructions.
- Certain technical skills are required to install the loudspeaker. Please have the product installed by a professional.
- AlphaTheta Corporation is not responsible for any loss or damage that results from improper installation, insufficient strength of installation materials, misuse, modification or natural disasters.

Thank you for buying this product. Please read through these operating instructions so you will know how to operate your model properly. After you have finished reading the instructions, put them away in a safe place for future reference.

Before you start

- Make sure to use amplifiers with rated load impedances that match the speaker impedance for the amplifiers connected to each loudspeaker.
- Furthermore, any devices or objects easily affected by magnetism (floppy disks, magnetic cards, magnetic tape etc.) should be kept well away from the speakers. In order to prevent damage to the loudspeaker resulting from input overload, please observe the following precautions:
- If you supply amplification power to the loudspeaker excessively, the speaker could be damaged and overheating could cause a hazard.
- Only connect, turn ON or OFF the audio system or any one part (such as DJ player and Mixer) when the power to the amplifier is turned off. If any operations are performed while the amplifier is turned on, there is the possibility of damaging the treble frequency speaker unit.
- When using a graphic equalizer to emphasise loud sounds in the high-frequency range, do not use excessive amplifier volume.
- Do not try to force a low-powered amplifier to produce high sound levels as the amplifier's harmonic distortion will be increased, and you may damage the speaker.

Caution: installation

- Ensure that the floor, wall, ceiling, or stage surface can withstand the weight of the system.
- The installation technician must follow professional installation techniques to protect the loudspeaker against falling.
- When installing the speakers, make sure that the wall/ceiling is strong enough to support the speakers.
- Improper installation of the speakers could cause them to fall and cause damage or injuries to persons nearby.
- Do not attempt to stack devices together for use other than specified systems. Such devices may become unstable and tip over or fall, leading to injury. Make sure to secure each device in place using the pole mount, ratchet straps or other hardware to prevent them from tipping over or falling when stacking devices together. AlphaTheta Corporation shall accept no liability for damage or injury caused by accidents resulting from this products tipping over or falling due to them being insufficiently secured.
- Switch off and unplug your power amplifier and consult the instructions when connecting up components. Make sure you use the correct connecting cables.
- Keep magnetic objects such as screwdrivers or steel parts away from the tweeter and woofer speakers. Since the speakers use strong magnets, the objects may be attracted, causing injury or damaging the diaphragm.
- Do not install the loudspeaker in areas exposed to direct sunlight or near heating appliances. Such conditions may result in shrinkage of the wood materials and finish, leading to deformation of the enclosure, discolouration, or damage to the speakers. Conditions considered unpleasant by humans are detrimental to speakers as well. Providing a comfortable environment for the speakers will assist them in demonstrating their best performance. Please maintain the usage environment as follows:
 Temperature: 15 °C to 25 °C (59 °F to 77 °F)
 Relative Humidity: 35 % to 65 % (winter)
 40 % to 70 % (summer)
- Do not store speakers at temperatures outside of the rated temperature range as doing so may cause the speaker to drop in performance or become damaged. Storage temperature range: -20 °C to +55 °C (-4 °F to +131 °F)
- Do not use the product in locations subject to extreme fluctuations in temperature. Doing so could cause the product to malfunction.
- When using room air-conditioners or stoves to rapidly cool or heat room spaces, take precautions to avoid excessive dehumidification.
- Avoid placing the speaker near areas such as windows, as outside air can cause condensation to occur within the speaker.
- This loudspeaker is designed for indoor use only. To avoid electric shock hazard, do not place them outside, or in an overly humid area.

Caution: in use

- Do not use the speaker to output distorted sound for long periods of times. This can result in a fire hazard.
- Please also remember that vibrations from subwoofer systems can shake other loudspeakers out of place, which may present a toppling or falling hazard.
- Do not attempt to use the product with the XY-1 grille detached as doing so could result in damage to the product. Consult a qualified professional for assistance with removing the grille for maintenance purposes.
- If you notice anything unusual with a speaker or ceiling suspension hardware, immediately stop using it and detach it without delay.
- If you notice cracking on the speaker enclosure, immediately stop using it and detach it without delay.
- Detach speakers that are not used or cannot be used without delay.
- To prevent the risk of electric shock, do not remove cover (or back). No user-serviceable parts inside. Refer servicing to qualified service personnel.

For Europe



If you want to dispose of this product, do not mix it with general household waste. There is a separate collection system for used electronic products in accordance with legislation that requires proper treatment, recovery and recycling.

Private households in the member states of the EU, in Switzerland and Norway may return their used electronic products free of charge to designated collection facilities or to a retailer (if you purchase a similar new one).

For countries not mentioned above, please contact your local authorities for the correct method of disposal.

By doing so you will ensure that your disposed product undergoes the necessary treatment, recovery and recycling and thus prevent potential negative effects on the environment and human health.

K058b_A1_Engb

The Safety of Your Ears is in Your Hands

Get the most out of your equipment by playing it at a safe level – a level that lets the sound come through clearly without annoying blaring or distortion and, most importantly, without affecting your sensitive hearing. Sound can be deceiving. Over time, your hearing “comfort level” adapts to higher volumes of sound, so what sounds “normal” can actually be loud and harmful to your hearing. Guard against this by setting your equipment at a safe level BEFORE your hearing adapts.

ESTABLISH A SAFE LEVEL:

- Set your volume control at a low setting.
- Slowly increase the sound until you can hear it comfortably and clearly, without distortion.
- Once you have established a comfortable sound level, set the dial and leave it there.

BE SURE TO OBSERVE THE FOLLOWING GUIDELINES:

- Do not turn up the volume so high that you can't hear what's around you.
- Use caution or temporarily discontinue use in potentially hazardous situations.
- Do not use headphones while operating a motorised vehicle; the use of headphones may create a traffic hazard and is illegal in many areas.

S001a_A1_Engb

Installation guidelines

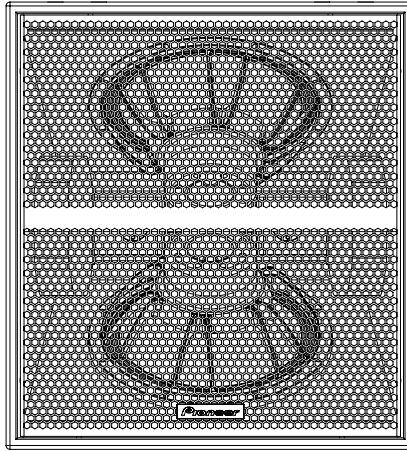
The XY-1 and XY-2E contain threaded fixing points. These points can be used to attach either special mounting hardware designed for the product or commercially available mounting hardware. Make sure to attach a wire for preventing falling parts and equipment of adequate strength using screw holes not used by mounting hardware.

WARNING

- This loudspeaker must be installed by a qualified technician as it involves such tasks as selecting a location for installation, drilling holes in walls/ceiling and wiring. Have the installer carefully follow the installation instructions.
- Certain technical skills are required to install the loudspeaker. Please have the product installed by a professional.
- AlphaTheta Corporation is not responsible for any loss or damage that results from improper installation, insufficient strength of installation materials, misuse, modification or natural disasters.
- When attaching the speakers to the wall or ceiling, you should first confirm that the wall or ceiling being used is strong enough to support their weight. If you are unsure then consult a specialist. If the speakers should fall then it could lead to serious injury, and is potentially very dangerous.
- Check to make sure that any mounting hardware used is enough to support the system, whether using special hardware designed for the system or commercially available hardware. Make sure to read the Introduction section in this manual and the instruction manual for the mounting hardware thoroughly before proceeding. Take every precaution to prevent the product and associated parts from falling as they could cause serious injury if they fell onto a person.
- Use screws suitable for ceiling material and screw mounting parts in solid locations.
- After installation, you must confirm that the speakers are safely installed. You must also periodically check them to make sure that they are still safe.
- Make sure to use mounting hardware of sufficient strength to secure the speaker in place when using non-designated hardware. The speaker could fall, causing accidents, if not properly secured.
- The fall prevention wire must be attached to a suitably strong location. The strength of the location to which the wire is attached being insufficient can lead to the speakers falling or cause accidents. The fall prevention wire and screw to attach the fall prevention wire to the ceiling or wall are not supplied with the speakers, so please purchase them separately.
- When this product is placed in an elevated place such as on a stage, a speaker may be moved by vibrations and fall to the floor, causing an injury or accident. Take measures to prevent a speaker from sliding off a stage, etc.
- Ensure that the floor, wall, ceiling, or stage surface can withstand the weight of the system.
- Wherever possible, avoid high stacks and use ratchet straps to secure loudspeakers together. Please also remember that vibrations from subwoofer systems can shake other loudspeakers out of place, which may present a toppling hazard. The use of ratchet straps and non-slip material is recommended to prevent this.
- To prevent a fire hazard, do not place any naked flame sources (such as a lighted candle) on the equipment.

Product overview

XY-1 Product overview

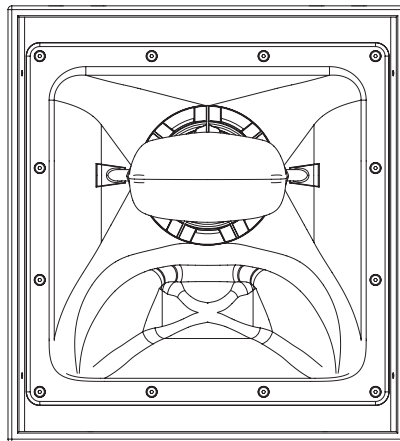


The LF section of XY-3B.

Features

- Two 12-inch cone drivers create tight, chest-pumping low end
- Connected to XY-2E vertically to make a Bi-amp or Tri-amp XY-3.
- Connected to XY-2E horizontally to make a horizontal XY-3.
- Wide range of rigging points
- Robust enclosure made from premium birch plywood with Impact and weather resistant black textured polyurethane coating
- Flying hardware options available
- White version available (water based painting)

XY-2E Product overview



Mid-high speaker taken from the mid-high range horn section of the XY-3B.

Features

- The 8-inch mid-range driver and the 1-inch compression driver that delivers clean and precise high and mid-range frequencies
- X-Phase system with gold X-Phase plug
- User changeable passive or Bi-amp modes
- Connected to XY-1 vertically to make a Bi-amp or Tri-amp XY-3.
- Connected to XY-1 horizontally to make a horizontal XY-3.
- Wide range of rigging points
- Robust enclosure made from premium birch plywood with Impact and weather resistant black textured polyurethane coating
- Flying hardware options available
- White version available (water based painting)

System set-up

WARNING

- Loudspeaker systems are potentially dangerous objects if used incorrectly. Please ensure that you read this section fully, and contact your local dealer should you be in any doubt over correct operation procedures.
- Professional loudspeaker systems are capable of producing damage-inducing sound pressure levels, and hence care should be taken when setting your system up, particularly when it comes to loudspeaker placement within a venue. Damage to the ear can result from levels above 90 dB under prolonged exposure.

Ground stacking

- Ensure that the floor or stage surface can withstand the weight of the system.
- Wherever possible, avoid high stacks and use ratchet straps to secure loudspeakers together. Please also remember that vibrations from subwoofer systems can shake other loudspeakers out of place, which may present a toppling hazard. The use of ratchet straps and non-slip material is recommended to prevent this.

Amplifier selection

The XY-1 and XY-2E are designed to be used with professional power amplifiers providing the following power outputs:

XY-1	:	2800 W/channel into 4 Ω
XY-2E	:	Passive mode - 540 W/channel into 8 Ω
	:	Bi-amp mode - MF 400 W/channel into 8 Ω
	:	HF 140 W/channel into 8 Ω

NOTE

A small power amplifier working too hard is more likely to damage a loudspeaker than a large power amplifier working within its operating range.

It is good practice to use an amplifier equal to the program power rating of the loudspeaker — so as to retain sufficient headroom and good dynamic range. Care should be taken during operation to avoid amplifier clipping — as this can cause serious damage to your loudspeakers. If in doubt, please contact your dealer who will be happy to assist you in correct amplifier choice and setup.

Cabling

The XY-1 and XY-2E are supplied as standard with Neutrik SpeakON™ NL4 connectors, wired pin 1+/1-. It is recommended that the resistance of your cable be less than one tenth of the nominal system impedance. Given below are the recommended maximum cable lengths for different cross-sections and impedances. Pin 2+/2- on the Neutrik SpeakON™ connectors are wired together to allow link-through with 4-core cables.

Conductor cross sectional area	Maximum recommended cable length		
	4 Ω	8 Ω	16 Ω
1.0 mm ²	11 m	22 m	44 m
1.5 mm ²	17 m	34 m	68 m
2.0 mm ²	22 m	44 m	88 m
2.5 mm ²	29 m	58 m	116 m
4.0 mm ²	44 m	88 m	176 m
6.0 mm ²	66 m	132 m	264 m

Speaker protection and Processor setting

WARNING

The XY-1 and XY-2E require properly adjusted signal inputs optimized. Otherwise speaker units may deteriorate even if the power is below the power handling capacity.

It is recommended to appropriately set the values of signal processing such as crossover frequency, peak limiter, delay, equalizer. Please see the document provided in these products support site for the recommended values to appropriately use this product.

Mounting and rigging options

WARNING

- The overhead suspension of loudspeakers is a very serious issue with potentially lethal consequences should anything go wrong. Rigging should only be carried out by experienced personnel following safe working practice. Should you be in any doubt whatsoever, please contact the retailer or dealer from which you purchased this product.
- When utilising any suspension method, a secondary safety feature must be used. For any suspension method, fit a rigging equipment to any of the rigging points. A safety wire can then be attached to this and connected to your safety point. If you are in any doubt whatsoever about how to safely suspend your loudspeakers, do not hesitate to contact the retailer or dealer from which you purchased this product.
- Be sure to provide double safety with reference to the XY-Series Installation Manual found at these products support site.
- With any suspension method, a second anchor point should be used as safety feature.
- Do not use the double safety hoisting accessory enclosure connection together with the main hoisting accessory connection.
- After installing the speaker, never loosen any of its screws, since the speaker could fall or other accidents could occur.
- After installation, you must confirm that the speakers are safely installed. You must also periodically check them to make sure that they are still safe.
- You must confirm that the speakers are safely installed after earthquake.

Rigging hardware

The XY-1 and XY-2E have multiple options for mounting and suspension, both for temporary use and for permanent, fixed installation.

The XY-1 and XY-2E contain 2 kinds of M10 threaded fixing points around the enclosure.

Hexagon socket countersunk bolts are attached to the 22 M10 threaded fixing points by factory default, and the speakers can be suspended from these fixing points by using forged shoulder eyebolts and the optional flying hardware.

The structure of the M10 threaded fixing points are such that their attached bolts pierce through the speaker enclosure. Therefore, if these points will not be used, the holes must be blocked with the hexagon socket countersunk bolts attached by factory default to ensure that the enclosure is completely sealed. If the holes for metal fittings are left open, the sound quality of the speakers will be affected.

Also, the eyebolts used for these fixing points must be long enough such that at least 25 mm of the thread cutting enters the speaker enclosure. If the bolts are not long enough, there may be a risk of damage to various parts, falling of the speakers, etc.

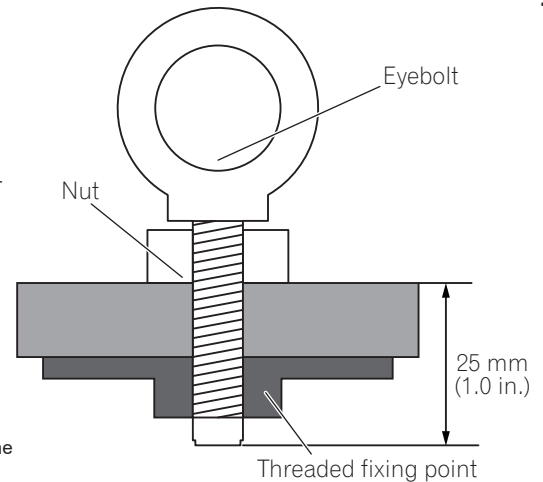
These fixings allow suspension in any orientation, with the extra point on the rear of the enclosure available for pull-back to obtain the desired rigging angle or as a secondary safety point.

In the installation, ensure tighten the bolts following torques.

M10 bolts : 15 N·m

The XY-1 and XY-2E are equipped with a M10 threaded boss that allows for the attachment of the XY-2 to the center of their bottom surfaces.

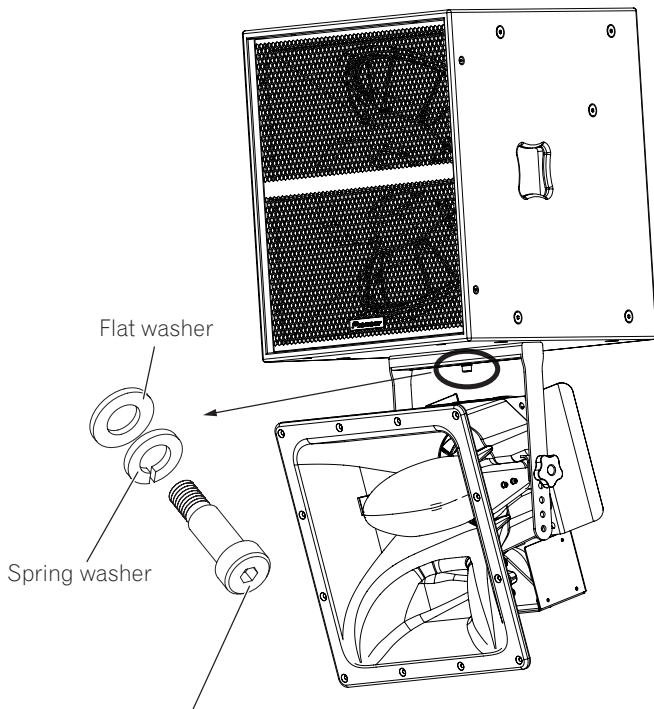
This fixing point is specially for the attachment of the XY-2. Do not use it for any other applications.



Precautions when installed in high locations

Any installation (permanent or temporary) must be securely attached to the structure of the building using chain, steel wire or web straps that are certified and load rated for the loudspeaker system. Consideration must be taken when determining the loading on the structure to include loudspeakers and rigging hardware, and the appropriate safety factor can then be decided upon. If you are in any doubt whatsoever, please contact the retailer or dealer from which you purchased this product. A reputable rigging organisation should also be able to advise on legislation regarding safety factors for suspended systems of this type.

Attachment of the XY-2 as front lower loudspeaker

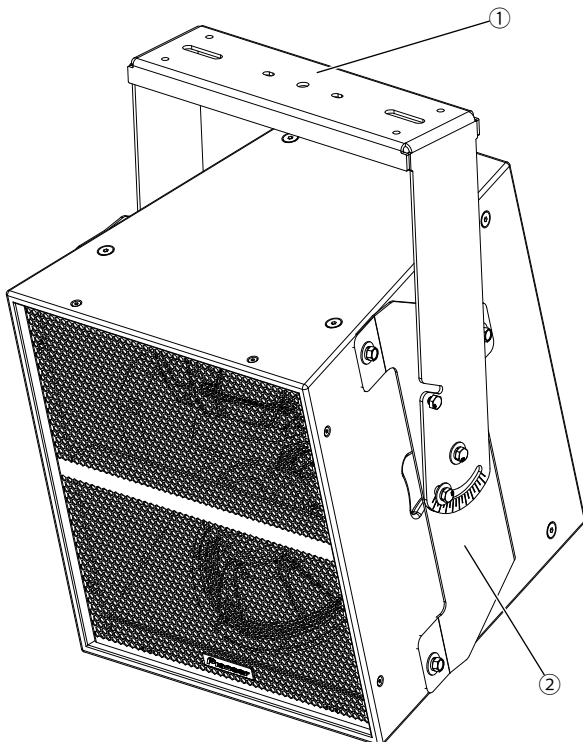


- By attaching the XY-2 to the bottom of the XY-1 and XY-2E, coverage of the mid and high frequency bands can be expanded.
- Using the dedicated screws, washer, and spring washer included with the XY-2, firmly attach it to the bottom threaded point of the XY-1 and XY-2E. - the flat washer should be in contact with the yoke. Tighten the bolts to ensure a solid fit. Once the desired angle of the loudspeaker is set, tighten the bolts on the yoke to lock the position in place.

WARNING

- When attaching the XY-2 to the XY-1 and XY-2E, do not attach it to anywhere other than the bottom of the XY-3B. Make sure to use the included bolt, washer, and spring washer.
- Do not suspend anything other than an XY-2 to the bottom of one XY-1 and XY-2E. Also, do not suspend two or more XY-2s.
- Excluding installation, do not loosen the XY-2 side hexagon socket head cap bolts.
- Flat washer and spring washer out of the reach of children and infants. If accidentally swallowed, contact a doctor immediately.

Attachment of the CP-XY1VC1 Vertical Flying Cradle



- By using the CP-XY1VC1, each XY-1 or XY-2E unit can be suspended and freely adjusted between an angle of 90 degrees from vertically upright to facing downward.
- Ensure that both the flat and locking washers are used – the flat washer should be in contact with the cradle. Tighten the bolts to ensure a solid fit. Once the desired angle of the loudspeaker is set, tighten the bolts on the cradle to lock the position in place. The points on the top of the flying cradle can be used for permanent installations or to secure a hook clamp.

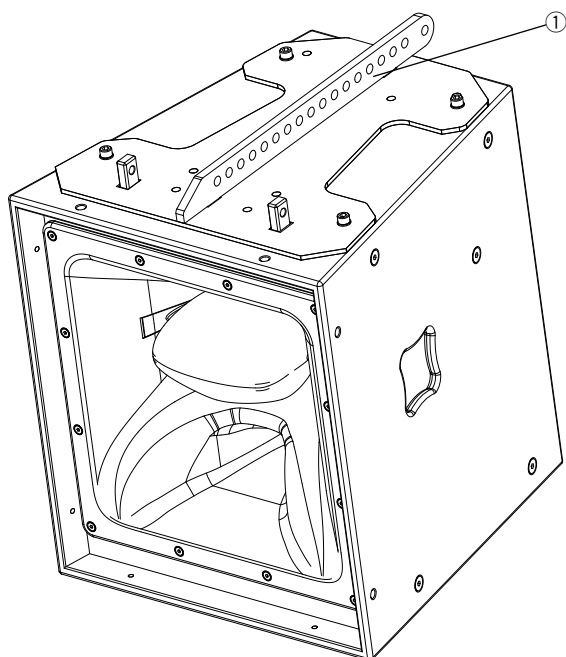
WARNING

- When installing the CP-XY1VC1 with the XY-1 and XY-2E, make sure to tighten the bolts and angle fixing levers to the torques specified in the table below.

M10 bolts	: 15 N·m
-----------	----------
- Do not loosen the angle fixing bolts of the CP-XY1VC1 except for performing the work.
- When adjusting the angle of the XY-1 and XY-2E, be careful not to get parts of your body caught in or hit by moving parts of the CP-XY1VC1. Otherwise, injury may result.

- ① Yoke
- ② Side plate

Attachment of the CP-XY1DF1 as Variable Angle Bracket



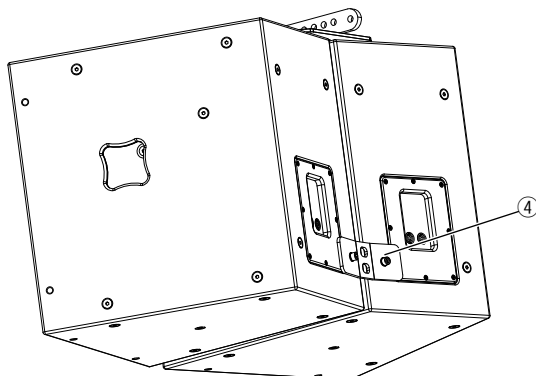
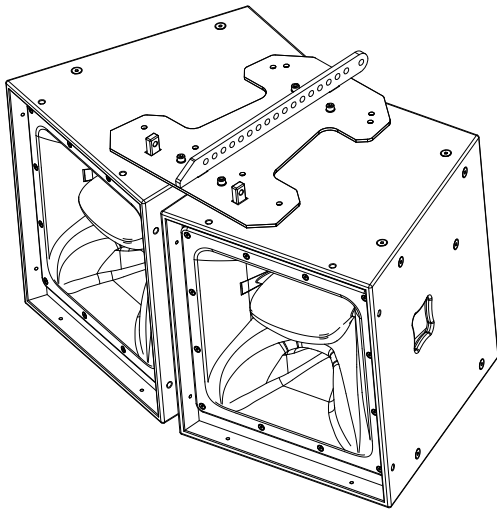
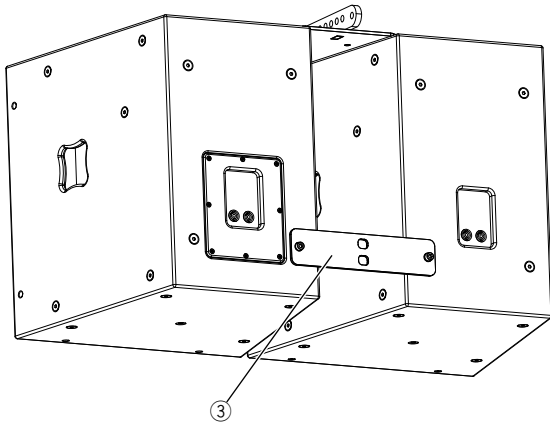
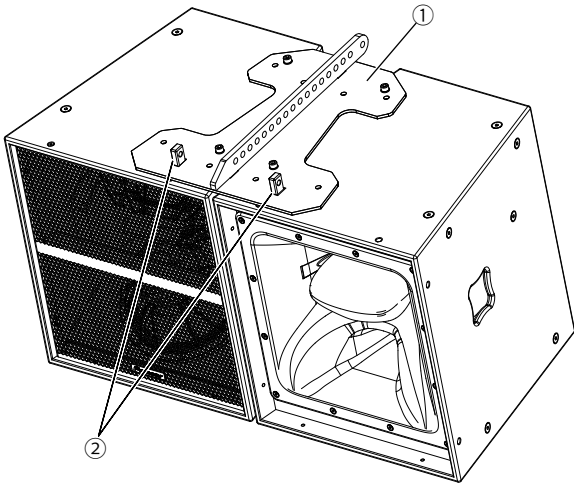
- By attaching the CP-XY1DF1 to each XY-1 or XY-2E unit, the unit's vertical position can be adjusted while it is suspended.
- Using the supplied M10 socket head bolts, bolt through the CP-XY1DF1 the top-plate into the enclosure. Ensure that both the flat and spring washers are used - the flat washer should be in contact with the top-plate. The top-plate works on the centre of gravity of the enclosure.
- The top-plate works on the centre of gravity of the cluster. Moving the pickup point to the rear of the enclosure will add down-tilt, and moving to the front of the enclosure will apply up-tilt. For larger down-tilt angles, position the pivot on the last hole and use the point on the rear or underside as a pull-back.
- The XY-2 can also be added to the bottom surface of the XY-1 or XY-2E with the CP-XY1DF1 attached.

WARNING

- When installing the CP-XY1DF1 with the XY-1 and XY-2E, make sure to tighten the bolts to the torques specified in the table below.
M10 bolts : 15 N·m
- Do not attempt to use this product with components other than the specified speaker.
- Be sure to use the supplied accessory screws.
- Flat washer and spring washer out of the reach of children and infants. If accidentally swallowed, contact a doctor immediately.
- After mounting the speaker with the cradle, never loosen any of its accessory installation screws, since the speaker could fall or other accidents could occur.
- Attach a wire to a rigging point different from those for installing the CP-XY1DF1 to prevent swaying.

① Top-plate

Assembly of cluster using the CP-XY1DF1 Dual Enclosure Flying Plate set



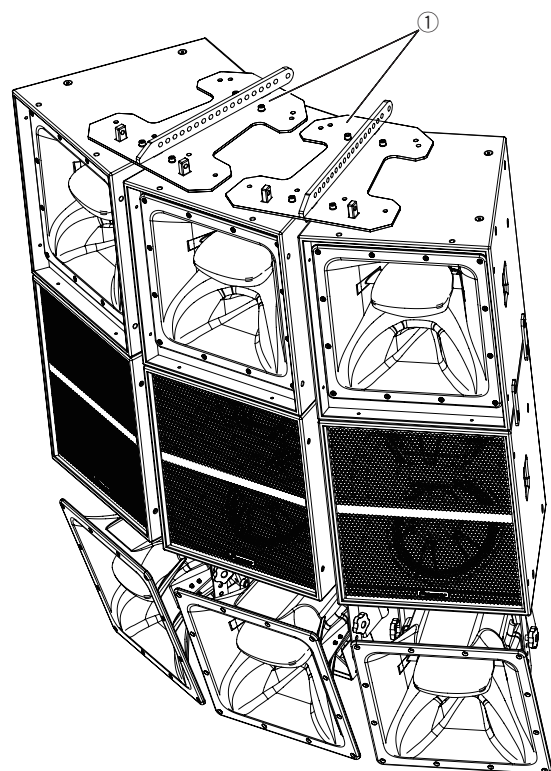
- By using the CP-XY1DF1, the XY-1 and XY-2E can be linked horizontally, and the system can be reinforced and coverage can be expanded.
- Up to two CP-XY1DF1 sets can be used together, allowing a total of up to three XY-1 and XY-2E units to be linked horizontally.
- The CP-XY1DF1 is equipped with rigging points for balance correction to prevent tilting of the cluster to the left or right when linking speakers of different models.
- The facing direction of the speakers can be selected from two types according to the combination of speakers linked.
- Using the supplied M10 socket head bolts, bolt through the CP-XY1DF1 the top-plate and the rear-plate into the enclosures. Ensure that both the flat and spring washers are used - the flat washer should be in contact with the top-plate.
- The top-plate works on the centre of gravity of the cluster. Moving the pickup point to the rear of the enclosure will add down-tilt, and moving to the front of the enclosure will apply up-tilt. For larger down-tilt angles, position the pivot on the last hole and use the point on the rear or underside as a pull-back.
- The XY-2 can also be added to the bottom surfaces of the XY-1 and XY-2E linked using the CP-XY1DF1.

WARNING

- When installing the CP-XY1DF1 with the XY-1 and XY-2E, make sure to tighten the bolts to the torques specified in the table below.
M10 bolts : 15 N·m
- When assembling cluster using the CP-XY1DF1, back of the enclosures must be fixed using a set of the rear plates.
- Do not suspend the cluster from only the rigging points for left-right balance correction. This may result in damage to the metal fittings or accidents such as the speakers falling.
- Do not attempt to use this product with components other than the specified speaker.
- Be sure to use the supplied accessory screws.
- Flat washer and spring washer out of the reach of children and infants. If accidentally swallowed, contact a doctor immediately.
- After mounting the speaker with the cradle, never loosen any of its accessory installation screws, since the speaker could fall or other accidents could occur.
- Attach a wire to a rigging point different from those for installing the CP-XY1DF1 to prevent swaying.

- ① Top-plate
- ② Rigging point for balancing
- ③ Rear-plate 1
- ④ Rear-plate 2

Vertical expansion of cluster using the CP-XY1CON1

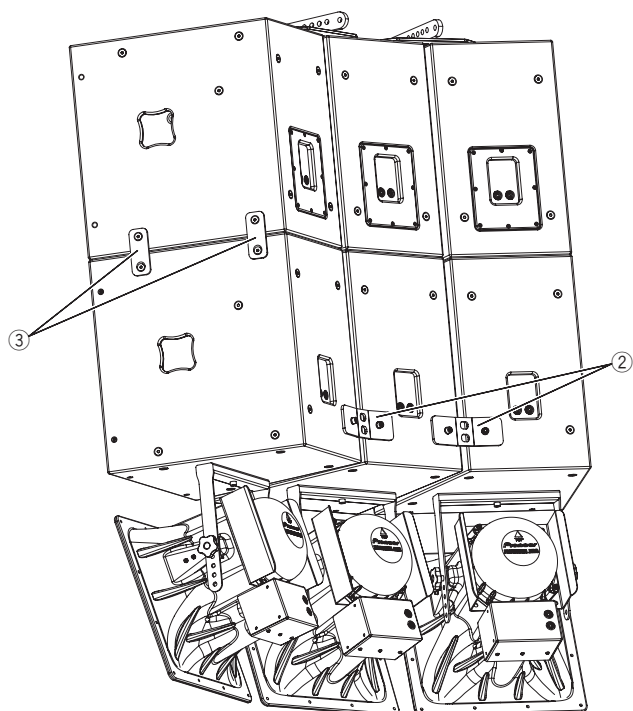


- Using the CP-XY1CON1, the cluster formed using the CP-XY1DF1 can be further expanded vertically. Using the XY-1 and XY-2E metal fittings, up to three units can be linked horizontally with the CP-XY1DF1 and up to three units can be linked vertically with the CP-XY1CON1, for a total of nine linked units. In addition to that, XY-2 can be attached to the bottommost units.
- Using the M10 countersunk bolts and four vertical connection plates that come with the metal fittings, fix the sides of the top and bottom speakers.

WARNING

- When installing the CP-XY1CON1 with the XY-1 and XY-2E, make sure to tighten the bolts to the torques specified in the table below.
M10 bolts : 15 N·m
- Do not attempt to use this product with components other than the specified speaker.
- Be sure to use the supplied accessory screws.
- After mounting the speaker with the cradle, never loosen any of its accessory installation screws, since the speaker could fall or other accidents could occur.

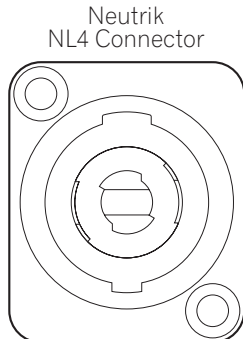
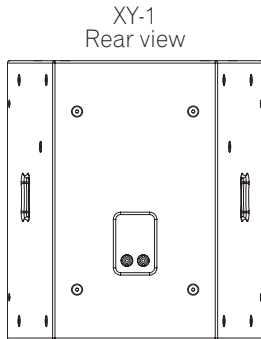
- ① CP-XY1DF1 - Top-plate
- ② CP-XY1DF1 - Rear-plate
- ③ CP-XY1CON1 - Vertical connection plate



Connections

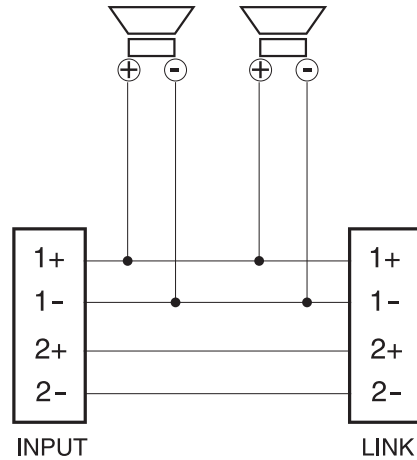
XY-1

- The INPUT and LINK connectors used are Neutrik SpeakON™ NL4 connectors.
- Refer to the internal connection diagram and make the appropriate connections as shown.



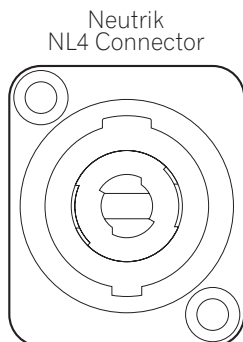
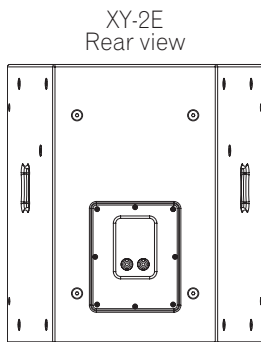
- ① INPUT connector
- ② LINK connector

Internal connection diagram



XY-2E

- The INPUT and LINK connectors used are Neutrik SpeakON™ NL4 connectors.
- Refer to the internal connection diagram and make the appropriate connections as shown.

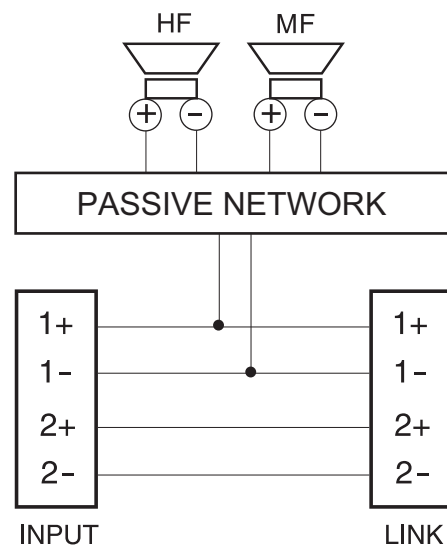


- ① INPUT connector
- ② LINK connector

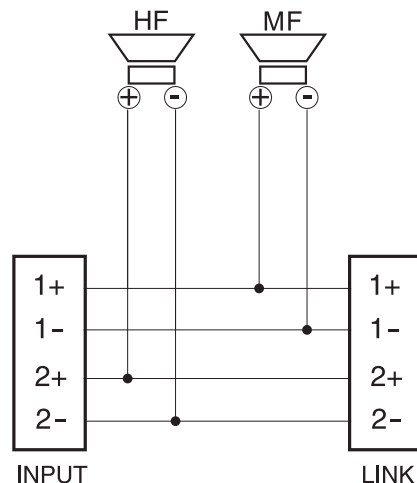
Internal connection diagram

The operation mode of the XY-2E can be changed from the Passive mode (Initial state) to the Bi-amp mode. When changing the operation mode, be sure to refer to the Installation Manual. If wiring is carried out incorrectly, it may result in damage to the amplifier and speaker unit.

Passive mode

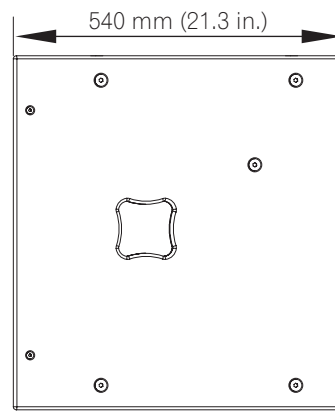
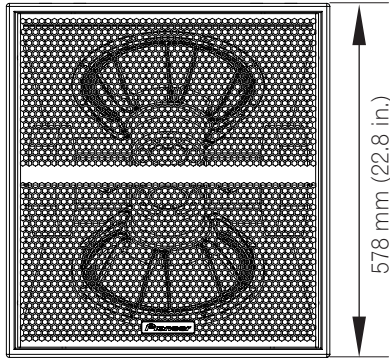
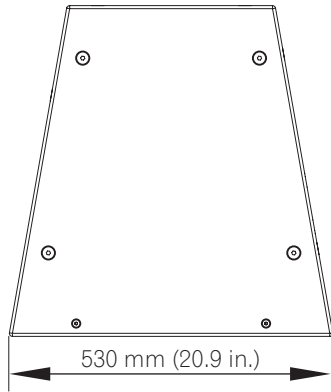


Bi-amp mode

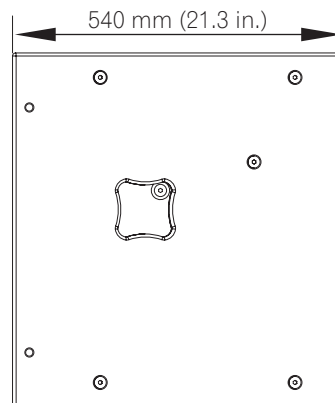
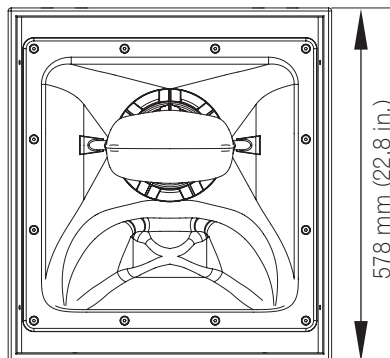
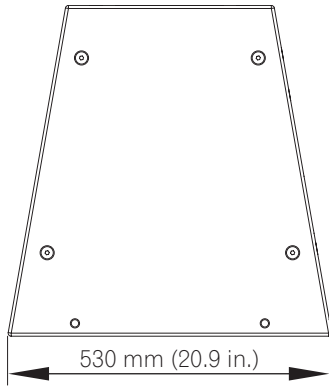


Additional information

Dimensions (XY-1)



Dimensions (XY-2E)



About trademarks and registered trademarks

- Pioneer is a registered trademarks of PIONEER CORPORATION.
- SpeakON is a registered trademark of Neutrik.

The names of companies and products mentioned herein are the trademarks of their respective owners.

Specifications

Model	XY-1	XY-2E	
Loudspeaker Type	Dual 12" hybrid loaded LF loudspeaker	8" two-way Passive/Bi-amp mid-high loudspeaker	
Operating mode	Passive mode	Passive mode	Bi-amp mode
Frequency Response (+/-3 dB) * 1	55 Hz to 400 Hz (-10 dB @ 45 Hz)	235 Hz to 17 kHz (-10 dB @ 150 Hz)	MF: 235 Hz to 3.5 kHz (-10 dB @ 150 Hz) HF: 1.4 kHz to 17 kHz
Sensitivity (1 W / 1 m) * 2	102 dB	107 dB	MF: 107 dB HF: 110 dB
Nominal Impedance	4 Ω	8 Ω	MF: 8 Ω HF: 8 Ω
Power Handling AES * 5	1400 W AES, 5600 W Peak	270 W AES, 1080 W Peak	MF: 200 W AES, 800 W Peak HF: 70 W AES, 280 W Peak
Dispersion * 3	–	50 °H x 35 °V	
Maximum SPL * 4	133 dB cont., 139 dB peak	130 dB cont., 136 dB peak	
Driver Configuration	12" neodymium cone driver x 2	MF: 8" neodymium cone driver HF: 1.0" exit neodymium compression driver	
Crossover	–	Asymmetric internal passive	–
Connectors	2 x Neutrik SpeakON™ NL 4		
Dimensions (W×H×D)	530 mm x 578 mm x 540 mm (20.7 inch x 22.8 inch x 21.3 inch)		
Weight	34.0 kg (74.9 lb)	29.0 kg (63.9 lb)	
Rigging and Hardware	23 x M10 threaded mounting points (4 top / 5 bottom / 4 rear / 5 left / 5 right) 2 x Flush handles (1 left / 1 right) CP-XY1VC1 - Vertical flying cradle CP-XY1DF1 - Dual enclosure flying plate CP-XY1CON1 - Vertical connection plate		
Grille	Hex punched steel	–	
Enclosure	15 mm (0.6 inch) birch plywood		
Finish	Black: Impact and weather resistant textured polyurethane paint, White: Impact resistant textured paint		
Spare parts	PT-XY3LF1 - LF Driver	PT-XY3HF1 - HF Compression driver PT-XY3MF1 - MF Driver	

*1 Measured on-axis at 2 m in an anechoic environment and referenced to 1 m.

*2 Measured in half space at 2 m with 4 W sine wave input and referenced to 1 m.

*3 Nominal dispersion, measured in an anechoic environment and averaged over stated bandwidth.

*4 Calculated at 1 m, and verified by subjective listening test of familiar program material.

*5 AES Standard ANSI S4.26-1984.

The specifications and design of this product are subject to change without notice.

AlphaTheta Corporation

6F, Yokohama i-Mark Place, 4-4-5 Minatomirai, Nishi-ku, Yokohama, Kanagawa 220-0012 JAPAN / JAPON

AlphaTheta株式会社

〒220-0012 神奈川県横浜市西区みなとみらい4丁目4番5号 横浜アイマークプレイス6階