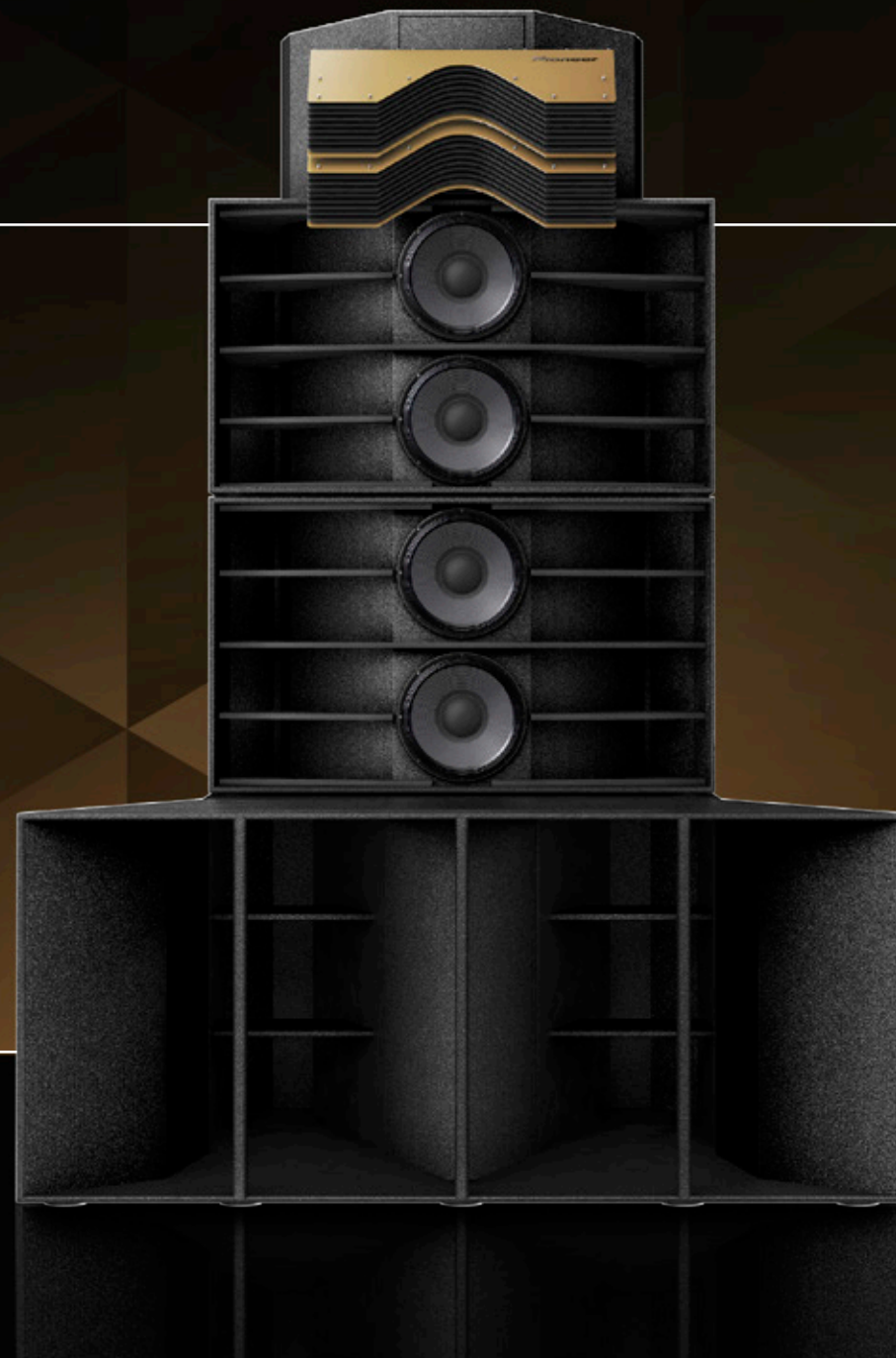


Pioneer

GS-WAVE SERIES

A 3-metre high dancefloor stack with wide dispersion and a high SPL across a broad frequency range; delivers a powerful, warm sound that combines a resonant bass and tight chest kick with crystal clear high frequencies.



WAV-SUB

Multi-fold hyperbolic horn subwoofer

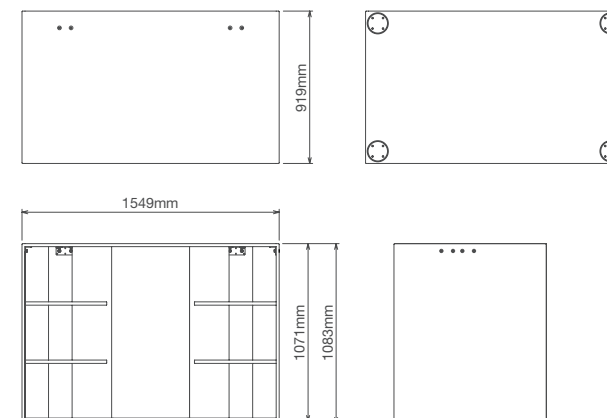


FEATURES

- Hyperbolic subwoofer
- Dual 18 inch LF drivers
- 3 metre folded horn
- Robust polyurethane matt finish
- High SPL output
- 35 Hz to 300 Hz

SPECIFICATION

Enclosure Type	Hyperbolic folded horn subwoofer
Frequency Response	35 Hz to 150 Hz
Sensitivity (1w/1m)	108 dB
Nominal Impedance	2 x 8 Ω
Power Handling	1600 W RMS, 3200 W program
Maximum SPL	140 dB cont., 146 dB peak
Driver Configuration	2 x 18 inch (457 mm) ferrite LF drivers
Connectors	1 x Neutrik SpeakON™ NL4MPR
Dimensions (WxDxH)	1549 x 1083 x 919 mm (61 x 42.6 x 36.2 inch)
Weight	213 kg (469.7 lb)
Enclosure	18 mm (0.7 inch) birch plywood
Finish	Impact-resistant, black textured polyurethane



WAV-HORN

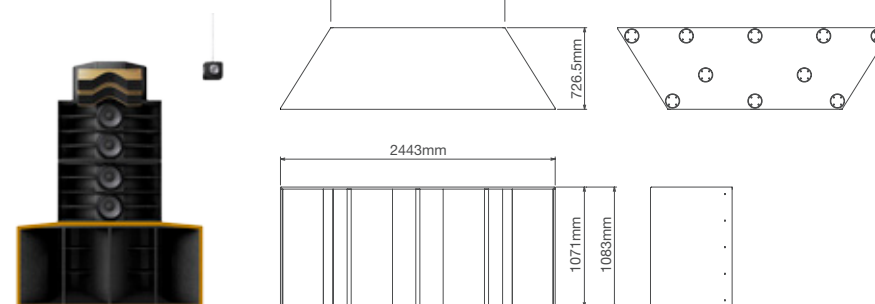
Large horn extension for WAV-SUB

FEATURES

- Extension for WAV-SUB
- Delivers increased SPL

SPECIFICATION

Enclosure Type	Extended horn for WAV-SUB
Sensitivity (1w/1m)	Increased sensitivity using a pair of WAV-SUB subwoofers (producing an extra 5 dB at 50 Hz)
Dimensions (WxDxH)	2443 x 1083 x 726.5 mm (96.2 x 42.6 x 28.6 inch)
Weight	125 kg (275.6 lb)
Enclosure	18 mm (0.7 inch) birch plywood
Finish	Impact-resistant, black textured polyurethane



WAV-LOW

Dual 15 inch high-power upper bass box

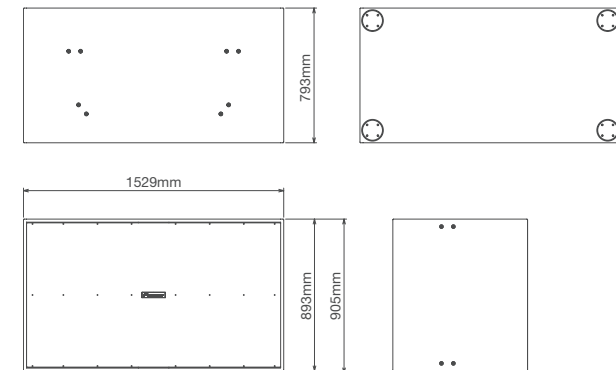


FEATURES

- Low to mid frequency enclosure
- Rear-loaded transmission line design
- 2 x high-powered 15 inch drivers
- Reproduces low, tight and responsive bass

SPECIFICATION

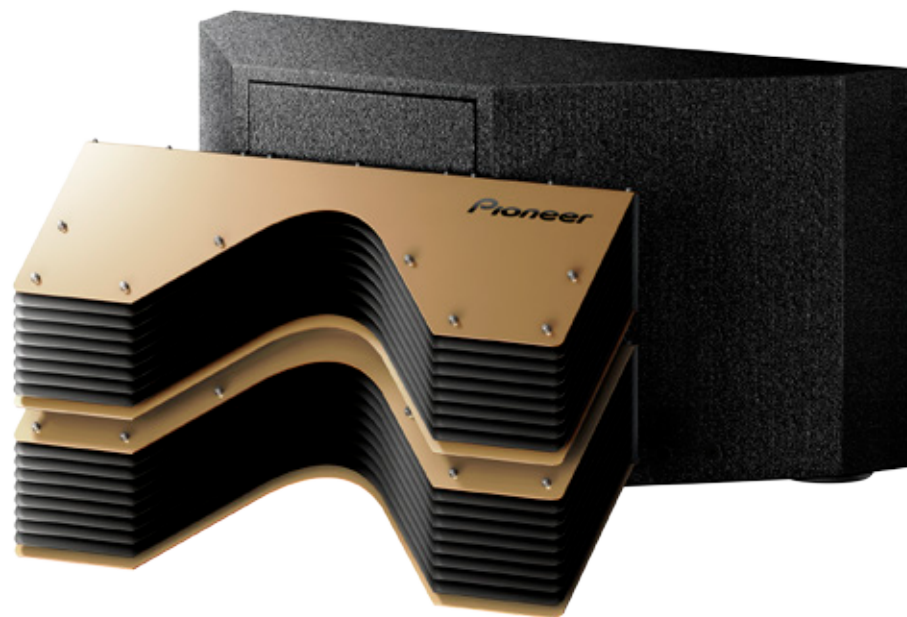
Enclosure Type	Back-loaded horn, low-mid box
Frequency Response	50 Hz to 2 kHz
Sensitivity (1w/1m)	103 dB
Nominal Impedance	2 x 8 Ω
Power Handling	1200 W RMS, 2400 W program
Maximum SPL	134 dB cont., 140 dB peak
Driver Configuration	2 x 15 inch (381 mm) ferrite LF drivers
Connectors	1 x Neutrik SpeakON™ NL4MPR
Dimensions (WxDxH)	1529 x 905 x 793 mm (60.2 x 35.6 x 31.2 inch)
Weight	179 kg (394.7 lb)
Enclosure	18 mm (0.7 inch) birch plywood
Finish	Impact-resistant, black textured polyurethane



GS-WAVE SERIES

WAV-LENS

Acoustic Lens with coaxial drivers

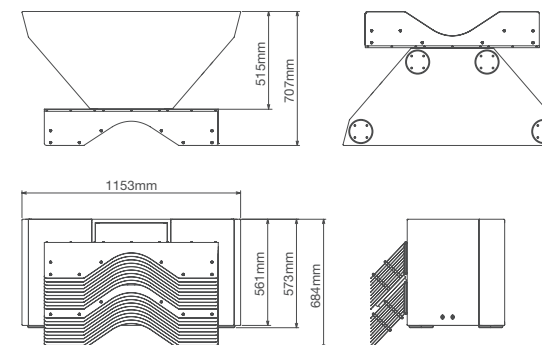


FEATURES

- Mid-high to high frequency response range
- 2 x coaxial neodymium compression drivers
- Delivers a wide even dispersion
- Exclusive Pioneer horn design
- The lens array helps reduce fatigue of audience area
- Easy adjustment design enables perfect alignment

SPECIFICATION

Enclosure Type	Mid-high box with Acoustic Lens
Frequency Response	MF: 1 kHz to 6 kHz/HF: 6 kHz to 16 kHz
Sensitivity (1w/1m)	MF: 115 dB/HF: 113 dB
Nominal Impedance	MF: 4 Ω/HF: 4 Ω
Power Handling	MF: 250 W RMS, 500 W program HF: 160 W RMS, 320 W program
Maximum SPL	MF: 139 dB cont., 145 dB peak HF: 135 dB cont., 145 dB peak
Dispersion	110°H x 50°V (variable range of the lens in the vertical direction: 20°)
Driver Configuration	2 x 2 inch (51 mm) exit coaxial neodymium compression drivers
Connectors	1 x Neutrik SpeakON™ NL4MPR
Dimensions (WxDxH)	Cabinet: 1153 x 573 x 515 mm (45.4 x 22.6 x 20.3 inch), Depth incl. the acoustic lens: 707 mm (27.8 inch)
Weight	71 kg (156.6 lb) with the Acoustic Lens
Enclosure	18 mm (0.7 inch) birch plywood
Finish	Impact-resistant, black textured polyurethane



WAV-TWPOD

Omnidirectional super tweeter pod

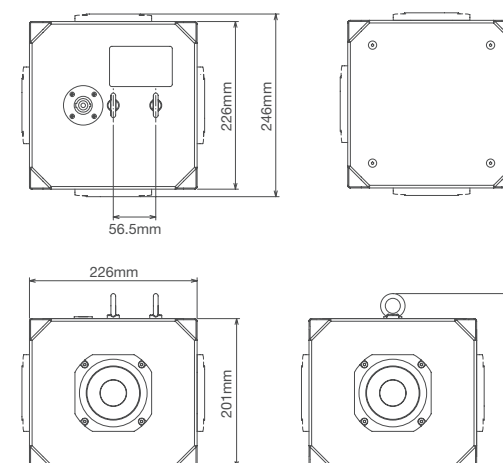


FEATURES

- Super tweeter pod
- Reproduces UHF from overhead
- Expands the depth of the system

SPECIFICATION

Enclosure Type	Omnidirectional tweeter array
Frequency Response	5 kHz to 20 kHz
Sensitivity (1w/1m)	100 dB
Nominal Impedance	8 Ω
Power Handling	100 W RMS, 200 W program
Maximum SPL	120 dB cont., 126 dB peak
Dispersion	Omnidirectional
Driver Configuration	4 x 1.5 inch (38 mm) exit ferrite compression bullet tweeters
Connectors	1 x Neutrik SpeakON™ NL4MPR
Dimensions (WxDxH)	226 x 201 x 226 mm (8.9 x 7.9 x 8.9 inch) not including eyebolts
Weight	10 kg (22 lb)
Enclosure	18 mm (0.7 inch) birch plywood
Finish	Impact-resistant, black textured polyurethane



GS-WAVE SERIES